



*Department of Electrical Engineering and Computer Science*

**MASSACHUSETTS INSTITUTE OF TECHNOLOGY**

**6.824 Distributed System Engineering: Spring 2017**

## **Exam II**

Write your name on this cover sheet. If you tear out any sheets, please write your name on them. You have 120 minutes to complete this quiz.

Some questions may be much harder than others. Read them all through first and attack them in the order that allows you to make the most progress. If you find a question ambiguous, write down any assumptions you make. Write neatly. In order to receive full credit you must answer each question as precisely as possible.

You may use class notes, papers, and lab material. You may read them on your laptop, but you are not allowed to use any network. For example, you may not look at web sites or communicate with anyone.

<b>I (12)</b>	<b>II (12)</b>	<b>III (6)</b>	<b>IV (12)</b>	<b>V (6)</b>	<b>VI (6)</b>	<b>VII (12)</b>	<b>VIII (18)</b>	<b>IX (12)</b>	<b>X (4)</b>	<b>Total (100)</b>

**Name:**

## I Spark

Consider the following Spark program as described in Section 2.2 of the paper *Resilient Distributed Datasets: A Fault-Tolerant Abstraction for In-Memory Cluster Computing*, by Zaharia *et al*:

```
1. lines = spark.textFile("hdfs://...")
2. errors = lines.filter(_.startsWith("ERROR"))
3. errors.persist()
4. errors.filter(_.contains("MySQL")).count()
5. errors.filter(_.contains("HDFS"))
   .map(_.split("\t")(3)).collect()
```

**1. [6 points]:** Mark the lines in the above program during whose execution an RDD is *materialized*: that is, computed and saved in memory or persisted on disk for use in future transformations. (Briefly explain your answer).

**2. [6 points]:** Consider the following scenario. The input file is partitioned into 100 pieces stored in HDFS. The program is executing line 5 on a cluster of 100 worker machines (these are different machines than the HDFS servers). One worker machine loses power and does not restart. Explain what data (if any) must be re-computed to recover. (Briefly explain your answer.)

## II Chord

Consider the `find_successor` function shown in Figure 4 in the paper *Chord: a scalable peer-to-peer lookup service for internet applications* by Stoica *et al.*.

**3. [6 points]:** If there are no failures, and node 0 in Figure 5(a) invokes `find_successor` for key 7, which nodes will node 0 contact to find the successor? Briefly explain.

**4. [6 points]:** If after node 6 has failed (but before `stabilize` has repaired any fingers) node 0 invokes `find_successor` for key 7 in Fig 5(a), how will `find_successor` find the right node? Which nodes will node 0 contact? Briefly explain.

### III Dynamo

After reading the paper *Dynamo: Amazon's Highly Available Key-value Store* by DeCandia *et al.* Ben Bitdiddle is wondering what R and W values he should choose to achieve the strongest consistency. He runs Dynamo with  $N=3$ .

- 5. [6 points]:** To make it most likely that a `get` will return the result of the latest `put`, should Ben choose  $R=3$  and  $W=1$ , or  $R=1$  and  $W=3$ ? Briefly explain.

## IV PBFT

The paper *Practical Byzantine fault tolerance* by Castro and Liskov describes a protocol to handle compromised nodes in a replicated state machine.

**6. [6 points]:** When a primary behaves incorrectly, PBFT initiates a view change to change to a new primary. Is it possible that the old primary will become primary again in a later view? Explain briefly.

**7. [6 points]:** A PBFT node switches to a new primary if it receives a NEW-VIEW request from the new primary with  $2f + 1$  signed VIEW-CHANGE messages. Why does the new primary include the signed VIEW-CHANGE messages in the NEW-VIEW message? Briefly explain.

## V Bayou

A friend of yours has not been paying much attention to 6.824 lectures or papers. Your friend sees that Bayou is described as being weakly consistent (*Managing Update Conflicts in Bayou, a Weakly Connected Replicated Storage System*, by Terry *et al.*). Your friend observes that in both Raft and Bayou, different replicas can have different contents; therefore, your friend claims that Raft also provides weak consistency.

Imagine two versions of the paper's meeting room scheduler (Section 2.1), one implemented with Bayou as described in the paper, and one implemented with the replicated state managed by Raft. The Raft version is able to execute operations only when a majority of the replicas is reachable; it doesn't support disconnected operation. The Raft version does not need the Bayou primary (since Raft itself effectively commits operations).

**8. [6 points]:** Using the paper's meeting room scheduler (Section 2.1) as an example, explain **two** different situations in which the Bayou version exhibits significantly weaker consistency than the Raft version.

## VI PNUTS

Section 2.2 of the paper *PNUTS: Yahoo!'s Hosted Data Serving Platform* by Cooper *et al.* describes several read operations. The descriptions of `read-any` and `read-latest` imply that PNUTS executes them in different ways, since they have different properties.

- 9. [6 points]:** Explain how PNUTS executes them differently, focusing on the differences that cause `read-latest` to have stronger consistency properties.

## VII Existential Consistency

Consider the paper *Existential Consistency: Measuring and Understanding Consistency at Facebook*, by Lu *et al.*

Suppose the paper's storage system holds two objects, x and y. Consider the following trace of reads and writes to x and y (in the style of the paper's Figure 3):

```
C0: | -Wx0- | | -Wy0- |
C1: | -----Wx100----- |
C2: | -----Wy200----- |
C3: | -Rx100- | | -Ry0- |
C4: | -Ry200- | | -Rx0- |
```

The `| -- . . . -- |` lines indicate the time between when an operation starts and when it completes. Thus, for example, the `Ry200` is concurrent with the `Wx100`, but the `Ry200` is not concurrent with the `Rx100`.

This trace is the result of the following events:

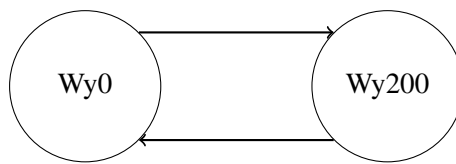
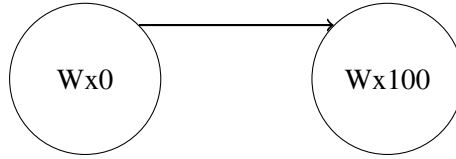
- Client C0 writes zero to x and y, and the writes complete.
- Then two clients (C1 and C2) each issue a write at about the same time. C1's write sets x to 100, and C2's sets y to 200.
- A third client, C3, reads x and gets value 100; after its first read completes, C3 reads y and gets value 0.
- A fourth client, C4, reads y and gets value 200; after its first read completes, C4 reads x and gets value 0.

The paper's principled linearizability checker (Section 3.2) is tracing both x and y, and the trace includes all the reads and writes mentioned above. The clock skew is zero (i.e., the clocks are all perfect), and the checker does **not** account for clock skew by expanding the invocation and response times. The logging is perfect—it has no losses. There are no failures, and no client actions other than those described above.

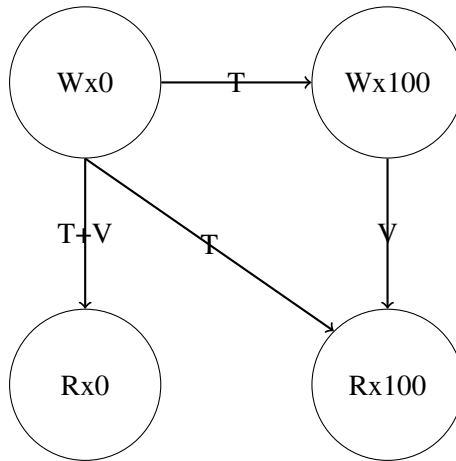


**10. [6 points]:** Draw the graphs the linearizability checker would produce, in the style of Figure 4(c). Note that the checker considers each variable separately.

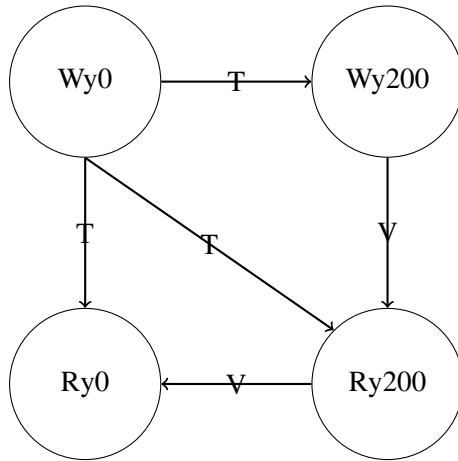
The final graphs produced by the checker are as follows:



The graph for x is produced from the following intermediate graph for x (T is a time dependency and V is a value dependency):



The graph for y is produced from the following intermediate graph for y:



11. [6 points]: Would the paper flag an anomaly in your graph? Briefly explain.

## VIII Bitcoin

John owns one bitcoin, transferred to him in transaction T1 in block B1. He spends the coin in transaction T2 in block B2. A few hours later John realizes that the recipient public key he put into T2 is incorrect. He'd like to un-do transaction T2 so that he can spend his coin again. He modifies his Bitcoin peer software to generate a block B2a that has the same predecessor block as B2, but does not contain transaction T2. B2a is a valid block. After generating B2a, John's peer sends the block to other Bitcoin peers.

**12. [6 points]:** Explain why John's actions are not likely to allow him to successfully spend his coin again.

Imagine that there are so many Bitcoin peers and miners operating on the MIT campus network that they make up one quarter of the total Bitcoin peers and mining CPU power.

Late one Friday evening, MIT's links to the Internet break. The links are not repaired until Monday morning, so MIT is disconnected from the Internet for more than two days. During that time, communication continues to work within the MIT campus net. The Bitcoin peers and miners inside MIT can all talk to each other (i.e. they flood transactions and blocks among themselves), so they form a functioning Bitcoin system.

On Saturday, Alyssa attempts to double-spend in the following way. She owns a single bitcoin, which was transferred to her in a transaction that existed well before MIT's network links failed. She sets up two laptops, initially with their network interfaces turned off, each with a copy of her Bitcoin private key and the Bitcoin wallet she uses.

Alyssa connects one laptop to the MIT campus network and uses her bitcoin to buy an MIT T-shirt from a store on the campus network; the T-shirt costs an entire bitcoin. Her wallet software signs a transaction transferring the bitcoin to the store, and floods the transaction to some MIT peers so that they will incorporate the transaction into the next block.

Then Alyssa takes her second laptop down the street to a cafe whose connection to the main Internet works (though of course she cannot contact any MIT computers from the cafe). She connects the laptop to the network, and buys a Stanford T-shirt from an online store; this T-shirt also costs a whole bitcoin. Her wallet software signs a transaction transferring her bitcoin, this time to the Stanford store, and floods the transaction to some (non-MIT) peers reachable on the Internet.

For both stores, if they see a valid transaction in the block-chain corresponding to an order, they wait until the transaction is a few blocks back in the block-chain before they ship anything. Both stores ship on weekends.

**13. [6 points]:** Will Alyssa be able to successfully double-spend? Explain why, or why not.

**14. [6 points]:** Explain what will happen to Alyssa's bitcoin after MIT's Internet link is fixed.

## IX Lab 3

**15. [6 points]:** Ben Bitdiddle is working on simplifying his Lab 3. Ben has an RPC duplicate detection table (`processed`) along with a table of response to previous `Get ()` requests (`lastResponses`). He is planning on eliminating the `lastResponses` table and modifying his state machine to satisfy duplicate `Get ()` requests by just reading the current value from the data map (even if it's not the same value that was read the first time the `Get ()` was processed). Is this a correct optimization? If so, explain why. If not, give a scenario in which Ben's optimization results in incorrect execution.

Alyssa P. Hacker wants to modify her Lab 3 to allow any follower to respond to a `Get ()` request. She modifies the client to send `Get ()` requests to a randomly chosen server, but to send `Put ()` and `PutAppend ()` requests to the leader. Alyssa modifies her server code to **not** insert `Get ()` operations into the log; servers simply return the value that is in their key/value table. She is worried that a follower's key/value table may not reflect all committed operations, so she changes her code as follows:

- A. Modify the `Put ()` and `PutAppend ()` responses to return the Raft log index where the operation committed.
- B. Modify the client to track the latest log index received in a `Put ()` or `PutAppend ()` response, and to pass that index as an additional `lastPutIndex` argument to the `Get ()` request.
- C. Modify servers to execute `Get ()` requests with a given `lastPutIndex` as follows:
  - If the state machine has finished processing at least up to index `lastPutIndex`, then read the data from the map and return immediately.
  - Otherwise, wait until the command at `lastPutIndex` has been processed, and then read the data from the map.

**16. [6 points]:** Is Alyssa's optimization correct? If yes, explain why. If not, explain a scenario in which Alyssa's optimization results in an incorrect execution.

## **X 6.824**

**17. [2 points]:** If you could make one change to 6.824 to improve it (other than firing the lecturers and dropping the quizzes), what would you change?

**18. [1 points]:** Which papers should we definitely keep for future years?

**19. [1 points]:** Is there any paper that you think we should delete?

**End of Exam II**